

# ADVANTAGE

MONTGOMERY, HUNTSVILLE, AND OZARK, AL  
DALLAS-FORT WORTH, SAN ANTONIO, LAREDO  
HOUSTON, AUSTIN, LONGVIEW, TX



## DRY VAN SEMI TRAILER RENTALS



53' DRY VAN SEMI TRAILER RENTALS		
USE:	STANDARDS:	
Retail	<b>Length</b> 53 ft	<b>Door Type:</b>
Manufacturing	<b>Width</b> 96 - 102 inches	Swing door
Construction	<b>Height</b> 13.6 ft	Roller door
Distribution	<b>CAPACITY:</b>	
Warehouse	53 ft Length, Gross, Weight: 45,000 lbs	
Transportation	53 ft Max Pallets: 26 pallets	

48' DRY VAN SEMI TRAILER RENTALS		
USE:	STANDARDS:	
Retail	<b>Length</b> 48 ft	<b>Door Type:</b>
Manufacturing	<b>Width</b> 96 - 102 inches	Swing door
Construction	<b>Height</b> 13.6 ft	Roller door
Distribution	<b>CAPACITY:</b>	
Warehouse	48 ft Length, Gross Weight: 45,000 lbs	
Transportation	48 ft Max Pallets: 24 pallets	

### OVERALL INTERIOR REAR DOOR CAPACITY MAX WEIGHT

OVERALL			INTERIOR			DOOR HEIGHT		CAPACITY	TARE WEIGHT
LENGTH	WIDTH	HEIGHT	LENGTH	WIDTH	HEIGHT	WIDTH	HEIGHT		
48 ft	102"	13' 6"	47' 6"	98.5"	100.6"	98"	100.6"	3,465 cu ft	13,500 lbs
53 ft	102"	13' 6"	47' 6"	98.5"	108"	94"	102"	3,489 cu ft	13,500 lbs

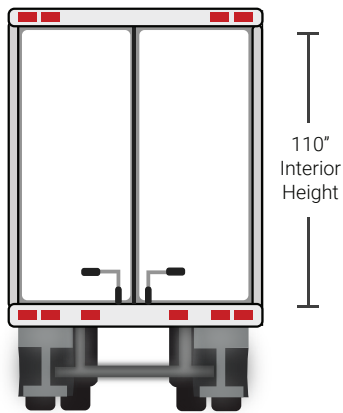
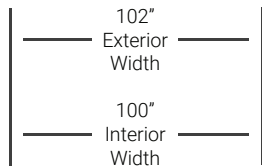
# ADVANTAGE

MONTGOMERY, HUNTSVILLE, AND OZARK, AL  
DALLAS-FORT WORTH, SAN ANTONIO, LAREDO  
HOUSTON, AUSTIN, LONGVIEW, TX

**TRAILER RENTALS**

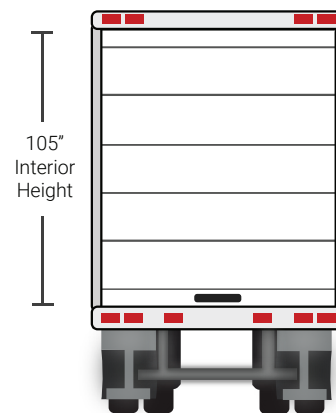
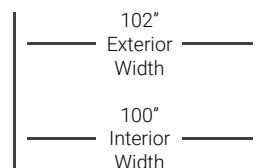
## DRY VAN SEMI TRAILER RENTALS

### SWING DOOR



Door Opening  
98" x 110"


### ROLL DOOR





Door Opening  
98" x 110"

*Data provided for illustrative purposes only. Actual equipment in use varies by carrier and manufacturer.  
This is only a guide and should not be used as a definitive reference for dock planning.*

For more information on rentals contact us at:

 [www.advantagerents.com](http://www.advantagerents.com)

 (214) 637-4506

 [info@advantagerents.com](mailto:info@advantagerents.com)